

Linear Actuators

Linear Actuators

Options:

- Adjustable Cam
- Feedback
- Cord set output
- Dust Cover
- Brake

Applications:

- Commercial Treadmills
- Adjustable Work Stations
- Dental Chairs & X-Ray
- Medical beds

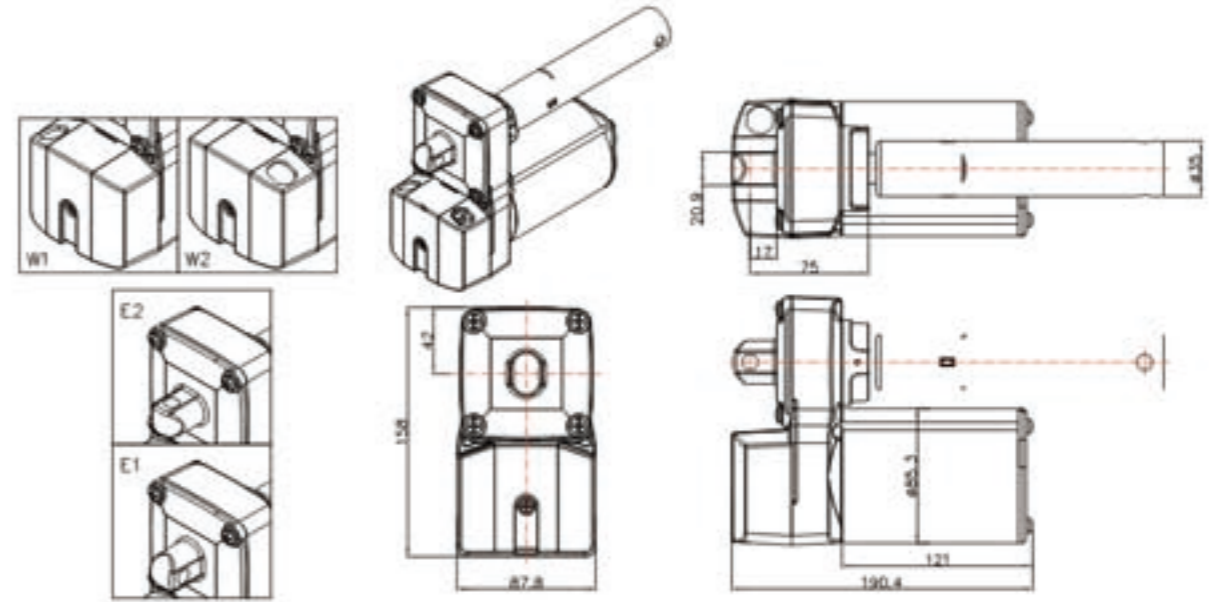
Model: JS35	
Input Voltage	110 or 220 VAC 50/60 Hertz
Load Capacity Thrust	1250
Travel Speed Inch per second/mm per sec.	0.11 to 0.37 Inch per sec.(2.8 to 9.5mm)
Operating Temperature	40 to 60 °C
Duty Cycle	1 Minute on 6 Minutes Off
Thermal Protector Rating	105°C +/- 5°
Stroke	Customer Defines
Capacitor	Electrolytic, Internal Mounting
Feedback, Potentiometer, Optica, Reed	Optional, Internal Mounting



Features:

- Permanent Split Capacitor Quiet Drive Motor
- Needle Thrust Bearings
- Precision Ball Bearings
- Class 2C Acme Shaft
- Internal Limit Switches
- Adjustable Cam
- Rugged Aluminum Castings
- Delrin Gears for Added Quietness & Strength

This heavy duty linear actuator can handle thrust loads up to 1350 pounds. It is perfect for an application that requires large thrust loads with faster travel speeds. It is currently used on club treadmills & fitness equipment, office equipment, adjustable work stations, medical beds, Dental X-ray machines and chairs. It is perfect for applications that doesn't require a fast travel speed and are price sensitive. It is currently used on light duty home treadmills & fitness equipment, office equipment and adjustable work stations.



Model Js35 Total Ratio(Gear Raitio/Screw Leads) Reference

Input Motor	Gear Ratio	13:1								20:1				25:1											
		6		8		6		8		6		8		6		8									
		60	50	60	50	60	50	60	50	60	50	60	50	60	50	60	50								
2 pole 50mm	Full load Speed in-min(cm-min)	42	107	36	91	32	81	27	68	28	70	23	59	21	52	18	44	22	56	19	47	17	42	14	36
	Full load thrust pounds(Newtons)	230	1023	240	1068	310	1379	330	1468	360	1601	380	1690	480	2135	510	2269	450	2002	480	2135	600	2669	640	2847
	Starting thrust pounds(Newtons)	300	1334	320	1423	410	1824	440	1957	480	2135	510	2269	640	2847	690	3069	800	2669	640	2847	800	3559	860	3825
2 pole 40mm	Full load Speed in-min(cm-min)	42	107	36	91	32	81	27	68	28	70	23	59	21	52	18	44	22	56	19	47	17	42	14	36
	Full load thrust pounds(Newtons)	190	845	200	890	260	1157	280	1246	300	1334	320	1423	400	1779	430	1913	370	1646	390	1735	500	2224	540	2402
	Starting thrust pounds(Newtons)	230	1023	240	1068	310	1379	330	1468	360	1601	380	1690	480	2135	510	2269	450	2002	480	2135	600	2669	640	2847
2 pole 30mm	Full load Speed in-min(cm-min)	42	107	36	91	32	81	27	68	28	70	23	59	21	52	18	44	22	56	19	47	17	42	14	36
	Full load thrust pounds(Newtons)	140	623	150	667	190	845	200	890	220	979	230	1023	300	1334	320	1423	280	1246	300	1334	380	1690	410	1824
	Starting thrust pounds(Newtons)	170	756	180	801	230	1023	240	1068	270	1201	290	1290	360	1601	380	1690	330	1468	350	1557	450	2002	480	2135

Input Motor	Gear Ratio	13:1								20:1				25:1											
		6		8		6		8		6		8		6		8									
		60	50	60	50	60	50	60	50	60	50	60	50	60	50	60	50								
4 pole 50mm	Full load Speed in-min(cm-min)	21	54	18	46	16	40	13	34	14	35	12	30	10	26	9	22	11	28	9	24	8	21	7	18
	Full load thrust pounds(Newtons)	480	2135	510	2269	650	2891	700	3114	750	3336	810	3603	1000	4448	1080	4804	930	4137	1000	4448	1250	5560	1350	6009
	Starting thrust pounds(Newtons)	580	2580	620	2758	780	3470	840	3737	900	4003	970	4315	1200	5338	1290	5738	1120	4982	1200	5338	1500	6672	1620	7206
4 pole 40mm	Full load Speed in-min(cm-min)	21	54	18	46	16	40	13	34	14	35	12	30	10	26	9	22	11	28	9	24	8	21	7	18
	Full load thrust pounds(Newtons)	390	1735	420	1868	520	2313	560	2491	600	2669	640	2847	800	3559	860	3825	750	3336	810	3603	1000	4448	1080	4804
	Starting thrust pounds(Newtons)	460	2046	490	2180	620	2758	660	2936	720	3203	770	3425	960	4270	1030	4582	890	3959	960	4270	1200	5338	1290	5738
4 pole 30mm	Full load Speed in-min(cm-min)	21	54	18	46	16	40	13	34	14	35	12	30	10	26	9	22	11	28	9	24	8	21	7	18
	Full load thrust pounds(Newtons)	300	1334	320	1423	410	1824	440	1957	480	2135	510	2269	640	2847	690	3069	800	2669	640	2847	800	3559	860	3825
	Starting thrust pounds(Newtons)	390	1735	420	1868	520	2313	560	2491	600	2669	640	2847	800	3559	860	3825	750	3336	810	3603	1000	4448	1080	4804

JS35 - XXX - XX - X - XX - XXX - XX - XX - XX - XX

Model	Volts	Ratio	Thread	Stack	Stroke	Sensor	Trunnion	Wire	Hole dia
	110	13	6	30	50 to	LS-Limit	E1	W1	9.8mm 3/8"
	220	20	8	40	300 mm	Switch	E2	W2	8mm
		25		50		1K-Pot 10K-Pot LP-Limit &Pot			10mm

LianDa Industrial Zone, Feihu North Rd, LuDu Town, Tai Cang City, JiangSu, P.R.C. Postal Code.:215412
 Copyrights © 2009 Adacel Technologies , LTD All Rights Reserved.
 Tel: 86-512-5337-1388 Fax: 86-512-5337-1386 email: info@adaceltech.com